



SUF 500

SUPERIOR PERFORMANCE AND HIGHLY RELIABLE ULT CHEST FREEZER

Optimized internal storage capacity with stainless steel racks. The single compressor technology provides reliable low temperature freezing and high temperature uniformity.



SINGLE
COMPRESSOR
SYSTEM



FILTERLESS
CONSTRUCTION



REDUCED
NOISE LEVEL

FILTERLESS CONSTRUCTION

Our filterless construction makes cleaning unnecessary. The evaporator coils are spaced so far apart that dust will not be trapped and obstruct the airflow.

The filterless construction eliminates the need for filters entirely, saving you maintenance time and cost.

SUPERIOR COOLING PERFORMANCE

Reaching -80°C in only 190 minutes due to our our single compressor technology. The technology is specially designed to be the best in class in cooling performance.

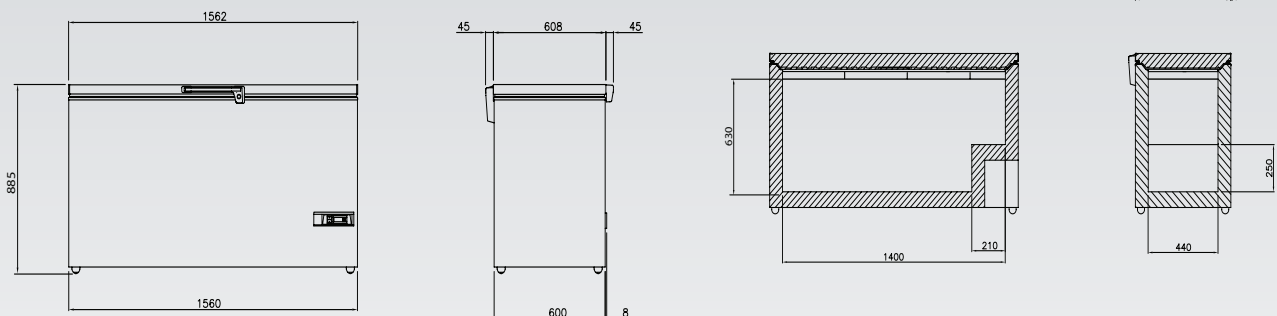
With the SUF 500 freezer you are secured superior temperature stability and great temperature uniformity even after door openings. It also helps provide a stable cooling performance while lowering the energy consumption.

OPTIMIZED STORAGE CAPACITY

The freezer has optimized internal storage for the best overlook and accessibility of stored content. With our stainless steel front rack storage system the samples will be easy accessible at any time.

The SUF 500 also has a premade access port with no extra cost involved, making it easier to monitor or inspect the unit with external probes.

MAIN DIMENSION FOR SUF 500



MAIN SPECIFICATIONS

| | |
|------------------------------------|------------------------|
| Item code | US-SUF500 |
| Temperature range (°C) | -40 / -86 |
| Temperature range (°F) | -40 / -123 |
| Max. ambient temperature (°C) | 25 |
| Max. ambient temperature (°F) | 77 |
| Capacity (L) | 368 |
| Capacity (cu. ft.) | 13 |
| Exterior dimensions WxDxH (mm) | 1562x708x891 |
| Exterior dimensions WxDxH (inches) | 61,50x27,87x35,08 |
| Interior dimensions WxDxH (mm) | 1400x440x630 |
| Interior dimensions WxDxH (inches) | 55,12x17,32x24,80 |
| Weight (KG) | 88 |
| Weight (lbs) | 194 |
| Insulation (mm) | 80 |
| Insulation (inches) | 3,16 |
| Cooling technology | single system / static |
| Controller model / probe type | XR30CX / PT1000 |

POWER

| | |
|-----------------------------|------|
| Power supply (V) | 110 |
| Frequency (Hz) | 60 |
| Power consumption (kWh/24H) | 10,8 |
| AMP (A) | 6,3 |
| Power (Watt) | 600 |
| Horse power (HP) | 5/8 |

ALARM FUNCTIONS

| | |
|--|-----|
| Alarm display as text - not codes | no |
| Visual / acoustic alarm | yes |
| Power failure alarm | yes |
| Adjustable high / low temperature alarm | yes |
| Open door alarm | no |
| Probe failure alarm | yes |
| Low battery alarm | no |
| Compressor failure alarm | no |
| Battery backup for alarms (approx. hrs.) | 72 |

DATA LOGGING & EXTERNAL CONNECTION

| | |
|---|----------|
| Voltage free contact for remote alarm (e.g. GSM module) | yes |
| Electronic data logger | no |
| RS 485 port | no |
| USB port for software update & data download | no |
| Temperature chart recorder | optional |

DISPLAY FEATURES

| | |
|---|--------------------------------|
| Display type | LED display with touch buttons |
| Number of optional reference probes | no |
| Password protection for turning unit on / off | no |
| Temperature graph on display | no |

OTHER FEATURES

| | |
|---|--------------|
| Automatic defrost | no |
| Vacuum release port | no |
| Access port for external probe etc. (int. diameter mm) | 12 |
| Access port for external probe etc. (int. diameter inches) | 0,47 |
| Light | no |
| Lock with key | yes |
| Castors (total pcs) / castors with brake (pcs) | 4 / optional |
| Fixed feet (pcs) / levelling feet (pcs) | no |
| Sub lids / inner doors (pcs) | 4 |
| Total capacity of 50 mm / 2 inch boxes 9x9 dividers (pcs) | 282 |
| Total capacity of 75 mm / 3 inch boxes 9x9 dividers (pcs) | 204 |
| Total capacity of 96 mm / 3,8 inch boxes 9x9 dividers (pcs) | 129 |

REFRIGERATION & CABINET

| | |
|-----------------------------|------------------|
| Number of compressors | 1 |
| Refrigerant | EP88 |
| Interior cabinet material | prepainted steel |
| Exterior cabinet material | prepainted steel |
| Colour (exterior cabinet) | white |
| Foam type | polyurethane |
| VIP vacuum insulated panels | no |

SHIPPING

| | |
|------------------------------------|----------------|
| Shipping weight (KG) | 139 |
| Shipping weight (lbs) | 306 |
| Shipping dimensions WxDxH (cm) | 166x76x106 |
| Shipping dimensions WxDxH (inches) | 65,4x29,9x41,7 |
| Shipping volume (m ³) | 1,34 |
| Shipping volume (cu. ft.) | 47,32 |

We reserve the right to change specifications without notice. Subject to confirmation, availability and errors.



Lock on handle for optimal security of the valued samples. Comes as a standard feature.



Optimal storage capacity and overview of the stored samples with the stainless steel front rack storage system

OPTIONAL ACCESSORIES

- Temperature chart recorder
- Rollers on metal frame
- CO2 back-up system
- GSM alarm module
- Voltage converter
- Voltage stabilizer
- Racks & boxes
- Cryo gloves

Arctiko A/S

Oddesundvej 39 · DK-6715 Esbjerg N · Phone: +45 7020 0328
info@arctiko.com ■ arctiko.com

